

AVANTI 9100 SERIES

MINIATURE FLUSH MOUNTED TRIMLESS STEP / ACCENT LIGHT



dreamscape
LIGHTING MFG., INC.

AVANTI 9100 SERIES

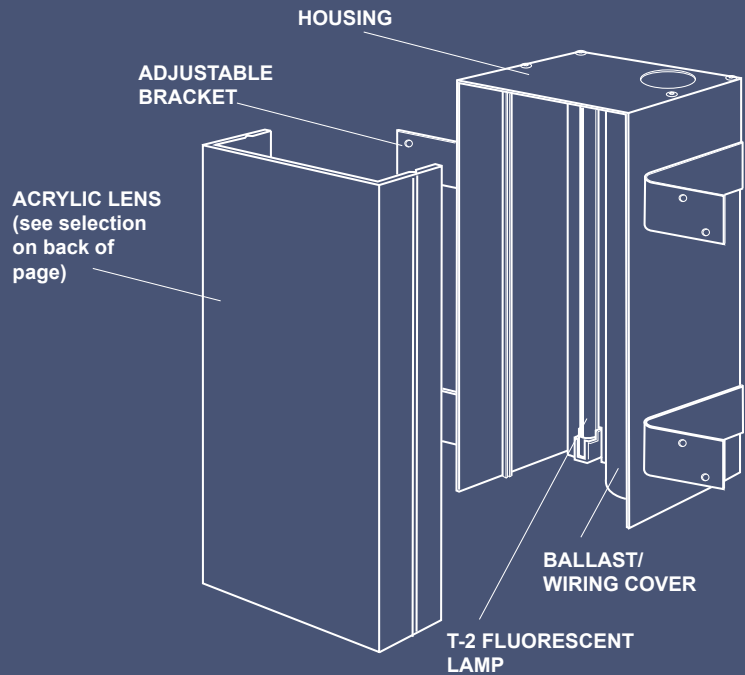
MINIATURE FLUSH MOUNTED TRIMLESS STEP / ACCENT LIGHT

Dreamscape Lighting's AVANTI 9100 Series Miniature

Flush Mounted Trimless Step / Accent Light is a

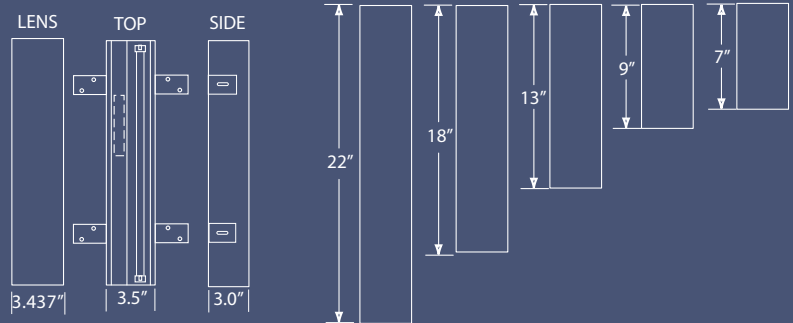
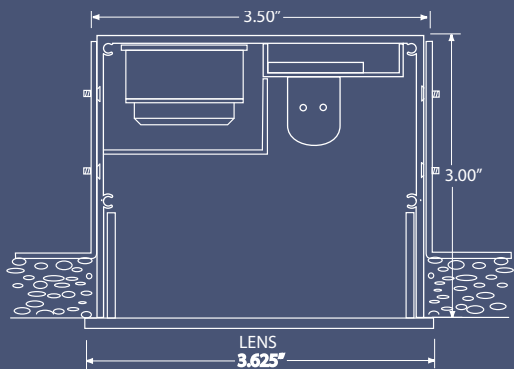
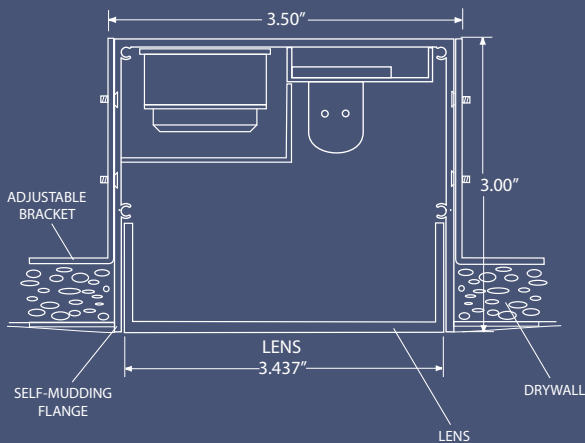
versatile flush mounted fixture that create an understated lighting ambiance while illuminating stairways, interior pedestrian access, and architectural details.

Utilizing clean lines that take advantage of seamless Dreamscape construction, Avanti is as much at home in a ceiling mount configuration as it is in wall mounted applications. Listed for damp location.



Left: Flush-with-drywall (FL) self finishing housing, adjustable L-bracket, and screwless decorative acrylic lens enables a uniquely clean installation.

Lower left: Overlap lens mount (OL) allows mounting lens over wall or ceiling material. The clean edges of the lens create a crisp architectural look.





LENS TREATMENT GUIDE



- Stairway
- Pedestrian Access Route
- Hospitality and Themed Environment
- Gallery and Museum
- Residential
- Lab and Clean Room

The custom lenses at right represent one of the most complete and varied lines in architectural recessed and decorative lensing. Consult factory for custom colors and textures.

AVANTI TRIMLESS MINIATURE STEP/ACCENT LIGHT SELECTION GUIDE

Type	Item No.	Specify Lens Overlap OL	Specify Lens Flush FL	Lens Type	Specify Color Temp. 3500*	Specify Voltage 120V**	Lamp Wattage	Lumen Output	Lamp Life (Hours)	Fixture Length
DL	9122				3500	120	13W	1200	10,000	22"
DL	9118				3500	120	11W	900	10,000	18"
DL	9113				3500	120	8W	600	10,000	13"
DL	9109				3500	120	6W	400	10,000	9"
DL	9109-LED				3300	120	8W	288	25,000	7"

* Other color temps available - consult factory ** Other voltages available - consult factory
Specifications subject to change without notice.

dreamscape

L I G H T I N G M F G . , I N C .

©2007 Dreamscape Lighting Mfg., Inc.
5521 W. Washington Blvd. • Los Angeles, CA 90016
Phone: 323-933-5760 • FAX: 323-933-3607
info@dreamscapelighting.com • www.dreamscapelighting.com
Specifications subject to change without notice.