

# DREAMSCAPE LIGHTING FLUSH TRIM / TRIMLESS SPECIFICATION SHEET



## DREAMSCAPE 50W 1 LIGHT DOWNLIGHT PINHOLE RECESSED FLUSH TRIM

LAMPING: 1 x 50 watt max.

- Cat. No.: DL-7300D-\_\_\_\_\_-\_\_\_\_\_-\_\_\_\_\_-
- Cat. No.: DL-7300D-FT\_\_\_\_\_-\_\_\_\_\_-\_\_\_\_\_-

Type: \_\_\_\_\_

Project: \_\_\_\_\_

Date: \_\_\_\_\_

### Trim Description:

Recessed 1-light 50W pinhole trim. Allows for 15° vertical adjustment with 365° horizontal rotation. Trim blends smoothly into ceiling plane with Dreamscape Lighting patented Flush Trim mounting collar. For use with Dreamscape Lighting DL-7001 Non-IC and DL-7005-IC and IC-AT Housings. Trim accepts both a louver and lens. See accessories below. **All trims can be flush mounted utilizing Dreamscape's patented flush / trimless mount system. Specify suffix FT.**

**Standard Trim:** Fits 1-1/2' ceiling thickness

**Tall Trim:** Fits 2' ceiling thickness. Add suffix TALL

**Extra Tall Trim:** Fits 3' ceiling thickness. Add suffix EXTRA TALL

### Mechanical:

Fixture housing is 18 ga. CRS and features two 16 ga. adjustable steel hanger bars which can be extended to 23.5". Access below ceiling. Ceiling trim flange is provided with .5" plaster lip with centerline notches for precise trim alignment.

### Electrical:

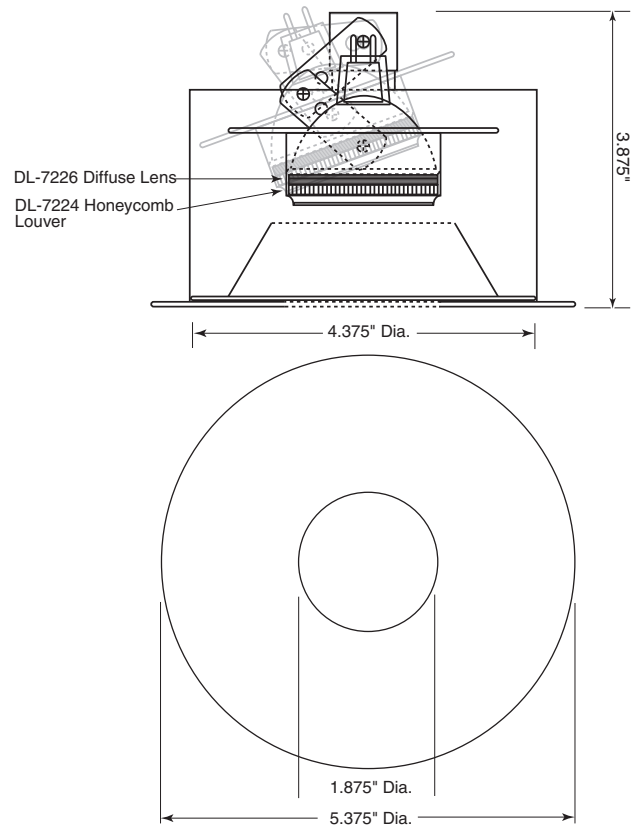
Housing is ETL listed for through branch circuit wiring. Housing features integral Q-Tran toroidal dimmable transformer. Secondary lead is 12V. Primary lead is 120V. Access above ceiling not required.

### Finish:

Standard trim finish is powder coated semi-gloss white. Matte black is standard for trim inner core. See below for other finishes. Custom finishes available, please consult factory.

### Labels

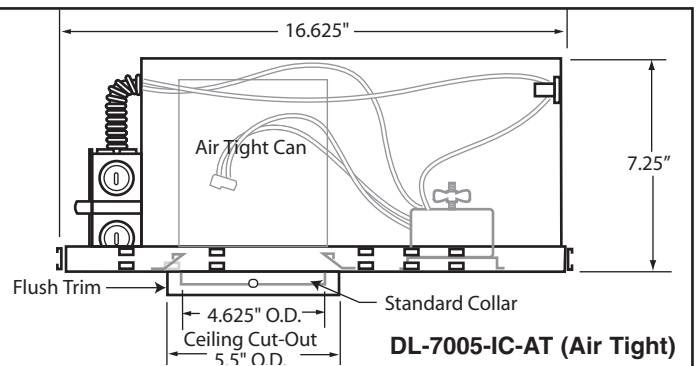
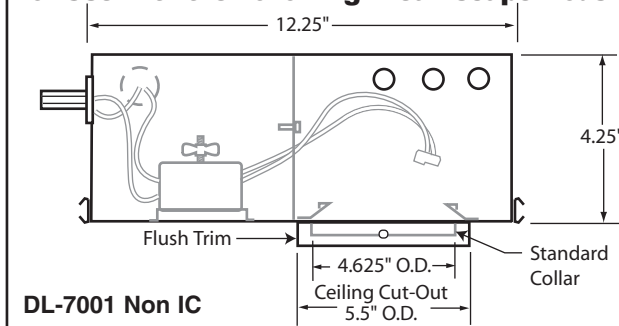
ETL - Suitable for damp location



Catalog No.	Finish	Construction	Adjustability	Lamp
DL-7300D	White	Powder Coated Steel	15° Vertical 365° Horizontal	MR16 50W
DL-7300D-1	Verde	Solid Brass		
DL-7300D-2	Satin Nickel	Solid Brass		
DL-7300D-3	Copper Bronze	Solid Brass		
DL-7300D-4	Custom	Custom Powder Coat		
DL-7300D-5	Ancient Bronze	Solid Brass		
DL-7300D-6	Brass Bronze	Solid Brass		
DL-7300D-7	Matte Black	Solid Brass		
DL-7300D-8	Copper Plate	Solid Brass		

Note: Add suffix FT for DL-7300D Flush Trim application

### For Use with the Following Dreamscape Housings



**Beam Accessories:** DL-7224: 2" Louver, DL-7225: 4" Louver, DL-7226: Diffusion Lens, DL-7227: Linear Lens, DL-7228: Clear Lens  
DL-7229: Inner Baffle

**dreamscape**  
LIGHTING MFG., INC.

5521 W. Washington Blvd. • Los Angeles, CA 90016  
Phone: 323-933-5760 • FAX: 323-933-3607  
info@dreamscapelighting.com • www.dreamscapelighting.com



We reserve the right to change specifications without notice. ©2009 Dreamscape Lighting Mfg., Inc.