

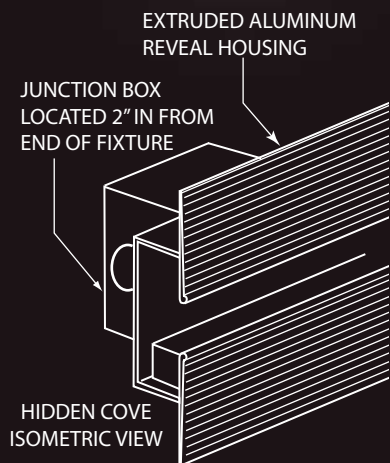
# HIDDEN COVE

DLED-5500 LED LINEAR ENCLOSED LIGHT REVEAL

**Hidden Cove** provides soft, indirect ambient lighting that can also be used to create visually stunning angular lighting displays.

The Hidden Cove reveal system provides a modern, decorative line of light utilizing energy saving LED that is flush with the drywall surface.

The look is seamless, the impression is flawless, and your environment will bask in the ambience of a truly unique and 'green' light source.



Dreamscape Lighting created Hidden Cove to accentuate strong visual architectural lines of illumination. To that end, Hidden Cove's flexibility as a linear fixture extends the creative reach of the lighting designer.

Hidden Cove can be specified in custom lengths that once installed create angular displays that will excite the senses. Architectural planes and interiors that demand extremely creative lighting solutions are easily enabled with Hidden Cove.

Themed environments, hospitality areas, and eclectic interiors all benefit from Hidden Cove.

**dreamscape**  
LIGHTING MFG., INC.

# DLED-5500 Series Hidden Cove Light Reveal Specification Sheet

An Enclosed LED Light Source Resting Inside of a 3/4" Flush Mount, Floating Reveal

Type: \_\_\_\_\_

Project: \_\_\_\_\_

Cat. No. DLED-5500 - \_\_\_\_\_ (length in feet and inches)

Date: \_\_\_\_\_

## Fixture Description:

The hidden cove light reveal system can provide a decorative horizontal line of light that is flush with a drywall surface. The light source inside the reveal is a 2700K, 2.5 watts per foot, enclosed LED light board with 20 LED's per foot. Standard length is 5' and 10'.

## Construction:

The reveal molding is extruded aluminum. The LED light source is secured inside a 1/2" x 1/2" extruded acrylic tube. Each 5' or 10' length includes 1 junction box attached to extruded aluminum light reveal.

## Electrical:

24 Volt AC/DC. 2.5 Watts per foot. Dimmable. Remote Class II transformer only.

**WARNING: Solid state transformers may not be compatible with our LED products. Recommended power supplies: Use either approved magnetic transformers or approved LED electronic drivers.**

## Mounting:

Extruded aluminum reveal molding mounts on top of notched 5/8" drywall.

## Design Requirements:

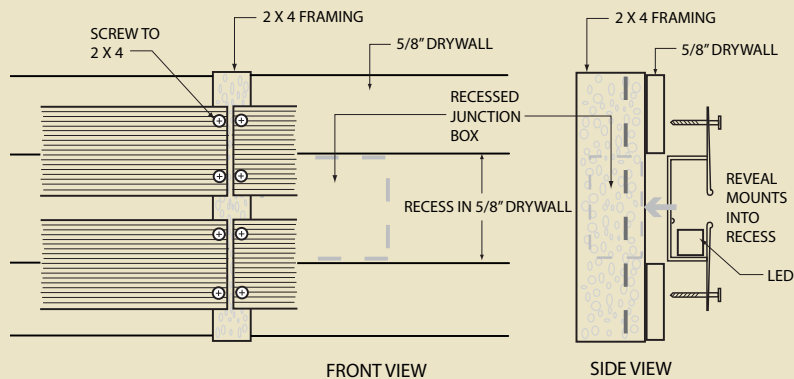
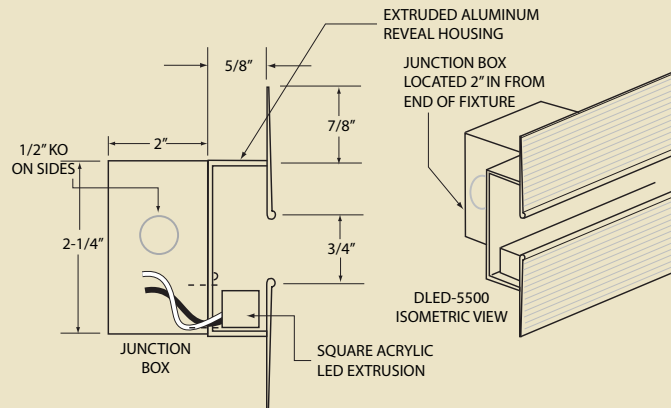
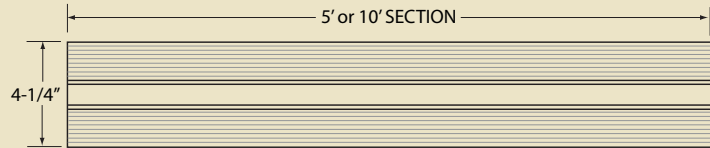
All hidden cove single and multiple lengths must be divisible by 3 for best illumination.

## Labels:

ETL pending for dry and damp location.

To specify a run, simply indicate desired length (see below). Factory will determine number of standard fixtures and will calculate size of end fixture.

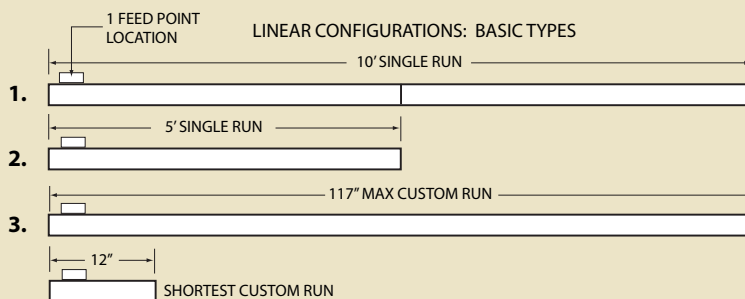
**NOTE: Light source is visible. Install fixture above eye height. Wall mount only.**



**NOTE: JUNCTION BOX MOUNTED TO ALUMINUM EXTRUSION MUST RECESS INTO WALL. BE SURE FRAMING WILL NOT INTERFERE WITH IT.**

## LINEAR CONFIGURATIONS: BASIC TYPES

- 10' SINGLE RUN: DLED-5500-10'  
2 - 5' sections of 2700K LED, 1 - junction box, 1 - 10' housing.
- 5' SINGLE RUN: DLED-5500-5'  
1 - 5' section of 2700K LED, 1 - junction box, 1 - 5' housing.
- CUSTOM RUN: DLED-5500-XX-CUSTOM  
1 - Custom section of housing with 1 or 2 sections of LED, 1 - junction box.  
CUSTOM LENGTHS AVAILABLE FROM 12" TO 117"



LED Length

Ordering Example:

**DLED-5500 - 10'**

**dreamscape**  
LIGHTING MFG., INC.

©2009 Dreamscape Lighting Mfg., Inc.  
5521 W. Washington Blvd. • Los Angeles, CA 90016  
Phone: 323-933-5760 • FAX: 323-933-3607  
info@dreamscapelighting.com • www.dreamscapelighting.com  
Specifications subject to change without notice