

DLED-5500 Series Hidden Cove Light Reveal Specification Sheet

An Enclosed LED Light Source Resting Inside of a 3/4" Flush Mount, Floating Reveal

Type:

Project:

Cat. No. DLED-5500 - _____ (length in feet and inches)

Date:

Fixture Description:

The hidden cove light reveal system can provide a decorative horizontal line of light that is flush with a drywall surface. The light source inside the reveal is a 2700K, 2.5 watts per foot, enclosed LED light board with 20 LED's per foot.

Standard length is 5' and 10'.

Construction:

The reveal molding is extruded aluminum. The LED light source is secured inside a 1/2" x 1/2" extruded acrylic tube. Each 5' or 10' length includes 1 junction box attached to extruded aluminum light reveal.

Electrical:

24 Volt AC/DC. 2.5 Watts per foot. Dimmable. Remote Class II transformer only.

WARNING: Solid state transformers may not be compatible with our LED products. Recommended power supplies: Use either approved magnetic transformers or approved LED electronic drivers.

Mounting:

Extruded aluminum reveal molding mounts on top of notched 5/8" drywall.

Design Requirements:

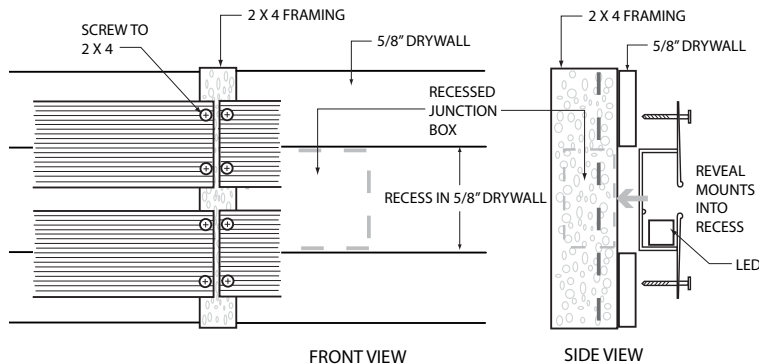
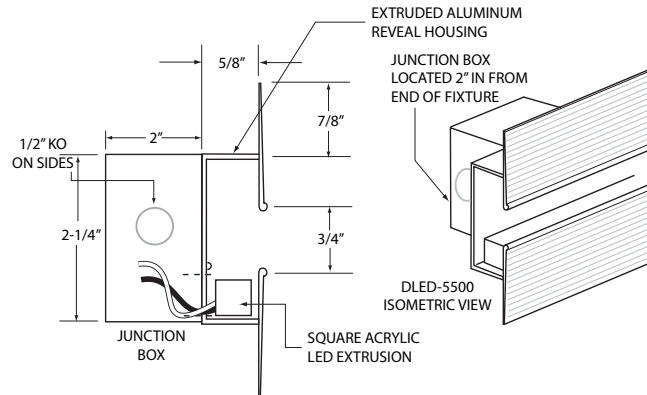
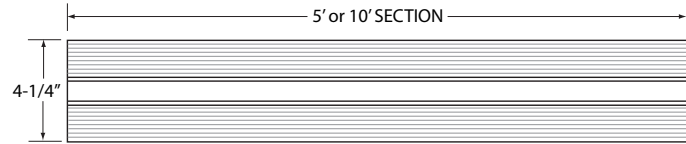
All hidden cove single and multiple lengths must be divisible by 3 for best illumination.

Labels:

ETL pending for dry and damp location.

To specify a run, simply indicate desired length (see below). Factory will determine number of standard fixtures and will calculate size of end fixture.

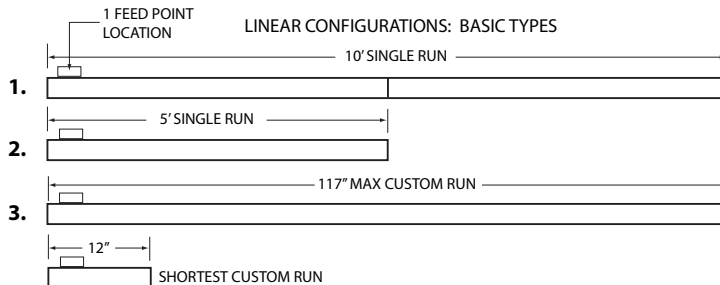
NOTE: Light source is visible. Install fixture above eye height. Wall mount only.



NOTE: JUNCTION BOX MOUNTED TO ALUMINUM EXTRUSION MUST RECESS INTO WALL. BE SURE FRAMING WILL NOT INTERFERE WITH IT.

LINEAR CONFIGURATIONS: BASIC TYPES

- 10' SINGLE RUN: DLED-5500-10'
2 - 5' sections of 2700K LED, 1 - junction box, 1 - 10' housing.
- 5' SINGLE RUN: DLED-5500-5'
1 - 5' section of 2700K LED, 1 - junction box, 1 - 5' housing.
- CUSTOM RUN: DLED-5500-XX-CUSTOM
1 - Custom section of housing with 1 or 2 sections of LED, 1 - junction box.
CUSTOM LENGTHS AVAILABLE FROM 12" TO 117"



Ordering Example:

DLED-5500 - 10'



©2009 Dreamscape Lighting Mfg., Inc.
5521 W. Washington Blvd. • Los Angeles, CA 90016
Phone: 323-933-5760 • FAX: 323-933-3607
info@dreamscapelighting.com • www.dreamscapelighting.com
Specifications subject to change without notice