

DL-101-D SPECIFICATION SHEET

Moonshadow Exterior Illuminator for Wet Location

Lamping: 1 x 20 Watt MR-16 or 35 Watt MR-16

Cat. No. DL-101-D - _____ - _____ - _____ - _____

Type:

Project:

Date:

Fixture Description:

A solid brass sand casting with a glass sealed aperture and solid brass lamp holder for wet locations. The fixture is available with three different housings and utilizes either a 20 watt or 35 watt MR-16 lamp. Applications include step lighting, path lighting or grazing illumination techniques.

Construction:

A solid brass sand casting with a glass sealed louvered aperture.

Electrical:

Remote 12-volt power supply.

Mounting:

Solid brass 8/32" phillips screws mount faceplate to housing.

Finishes:

1. Verdè, 2. Satin Nickel,
3. Copper Bronze, 4. White*,
5. Ancient Bronze, 6. Brass Bronze,
7. Custom, 8. Copper Plate,
9. Ancient Verdè, 10. Grey Bronze,
11. Rust Brown*, 12. Black*,
13. Pewter.

* powder coat

Lamp:

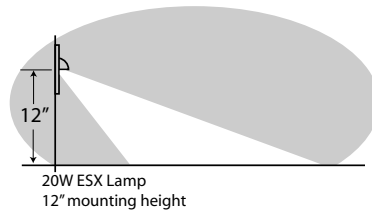
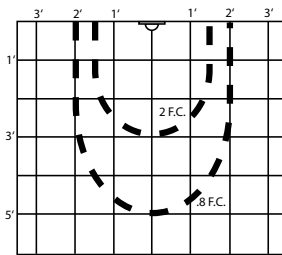
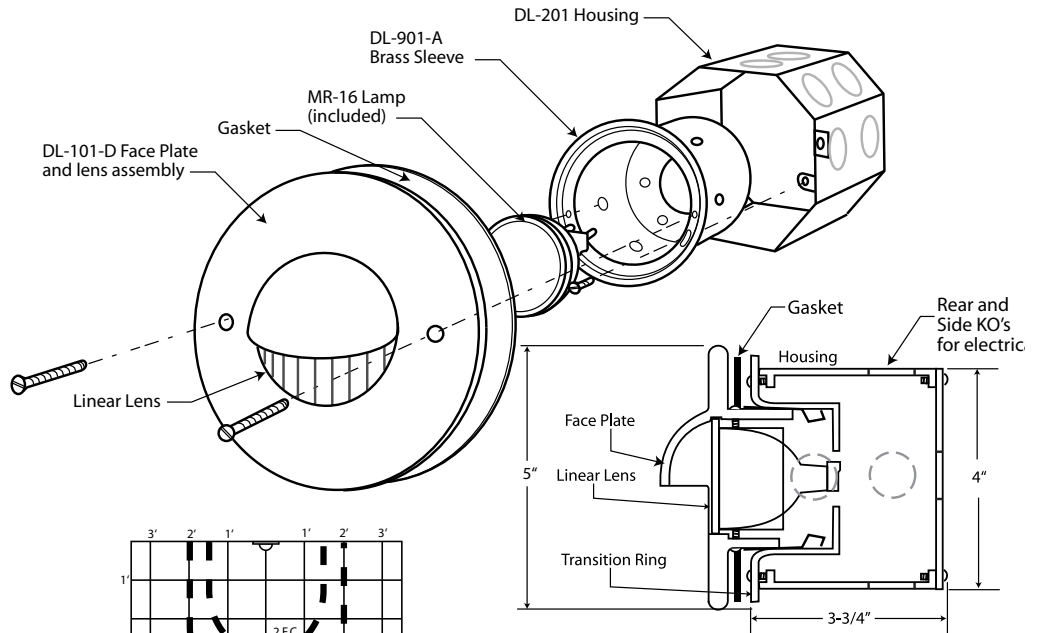
20 or 35 watt bi-pin MR-16 with front glass.

Lens:

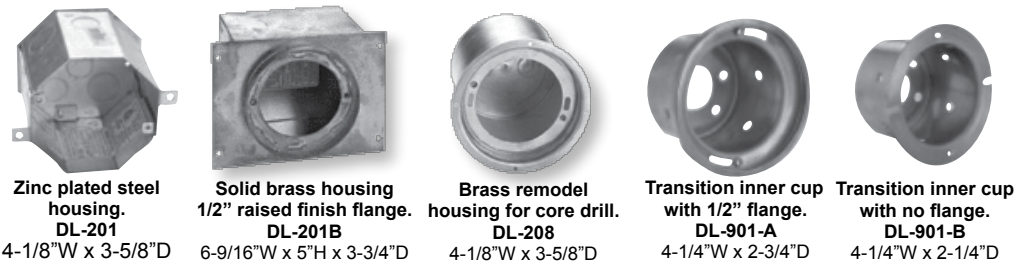
.125 glass with linear prism.

Label:

ETL listed, wet location.
UL 1598
CSA



Housings



TO FORM A CATALOG NUMBER:
WHICH SPECIFIES:

Part #	Mounting	Housing	Inner Cup	Lamp	Finish
DL-101	D	DL-201	901-A	501	5
Moonshadow Fixture	Screw Fit	Zinc Plated Steel Housing	1/2" Flange Inner Cup	20W ESX/FG	Ancient Bronze Finish
	Slip Fit	DL-201B DL-208	901-B	502 35W FMT/FC	

- FINISHES:**
1. Verdè
 2. Satin Nickel
 3. Copper Bronze
 4. White*
 5. Ancient Bronze
 6. Brass Bronze
 7. Custom
 8. Copper Plate
 9. Ancient Verdè
 10. Grey Bronze
 11. Rust Brown*
 12. Black*
 13. Pewter
- * Powder Coat

Notes: Mounting - For maximum resistance to water seepage, specify mounting style D.
Lamps - Lamp wattage must not exceed 20W if it is mounted directly into combustible construction.

dreamscape
LIGHTING MFG., INC.

©2007 Dreamscape Lighting Mfg., Inc.
5521 W. Washington Blvd. • Los Angeles, CA 90016
Phone: 323-933-5760 • FAX: 323-933-3607
info@dreamscapelighting.com • www.dreamscapelighting.com
Specifications subject to change without notice



082008_DL101D