

INTERIOR MICRO WELL LIGHT Adjustable Luminaire

A MINIATURE IN GRADE RECESSED FIXED OR ADJUSTABLE UP LIGHT FOR WOOD FLOOR APPLICATION

Cat. No: DL-130-INT-3/4 (Fixed) DL-130-INT-Adj.-3/4 (Adjustable)

Lamping: MR-11

Cat. No: DL-130-INT-LED-3/4 (Fixed)

Lamping: LED

Spec. No.: DL- _____

Type:

Project:

Date:

Fixture Description:

The INTERIOR MICRO WELL LIGHT can create dramatic lighting effects with its 20 watt MR-11 or 3W LED lamp. Its small scale allows it to be placed into areas normally unavailable to light fixtures because of their size. The MR-11 or LED light source is recessed below dual stacked honeycomb louvers to minimize surface brightness. The decorative trim overlaps the housing edge and is available in various metal etched finishes to complement different types of textures, colors, surfaces and architectural compositions. For 3/4" sub and 3/4" finish floor. Custom sizes available.

Specifications:

Construction: Aluminum rough-in housing with brass lamp compartment and brass top plate.

Dimensions: Height: 5-1/16"
Cone Dia.: 2"
Top Dia.: 3"
Face Plate: 3-1/4"

Lamp: 12 volt, 20 watt DC base MR-11 with front glass or 3 watt LED.

Electrical Requirements: Requires remote 12 volt source.

Labels:

ETL Listed Damp Location - Conforms to UL1598, Certified Canada CSA 22.2

Options:

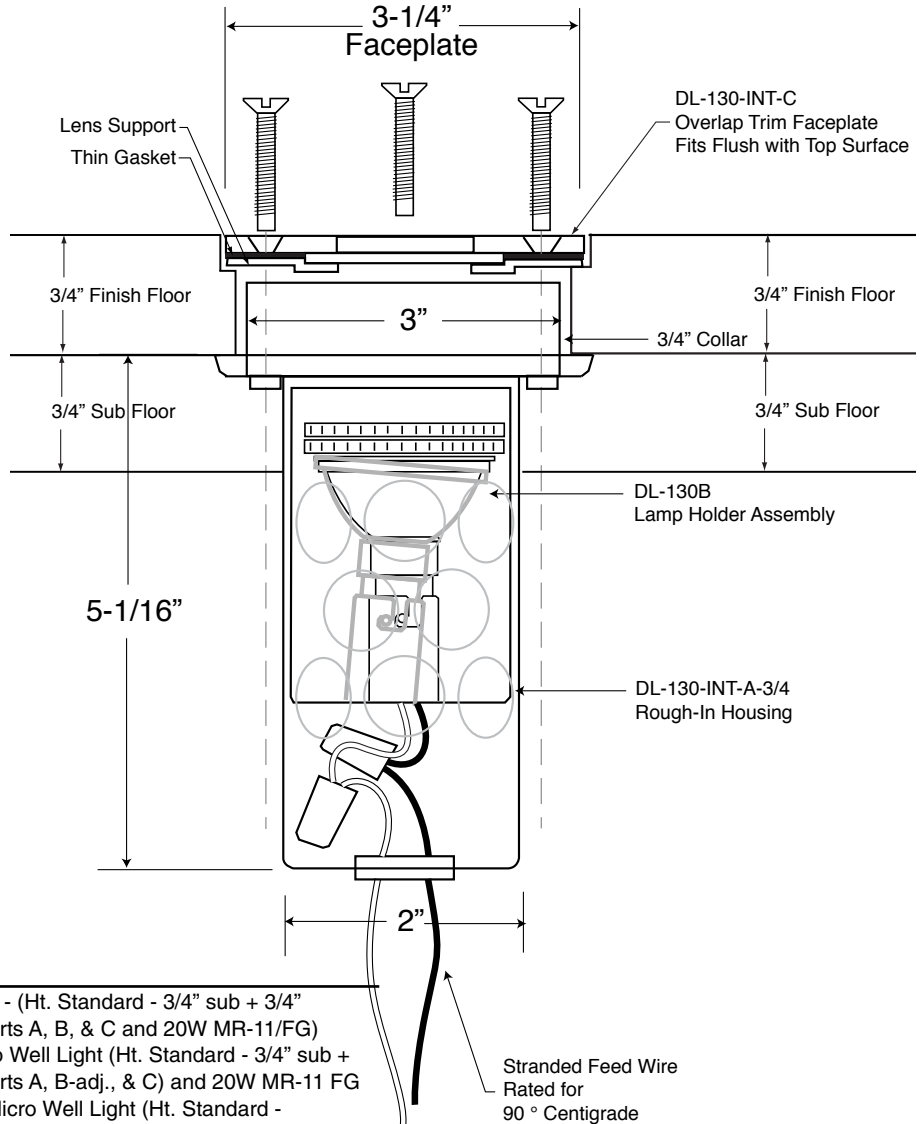
Diffusers: Diffusion and linear lens. See ordering chart below.

Catalog Number	Description
DL-130-INT-3/4	Interior Micro Well Light - (Ht. Standard - 3/4" sub + 3/4" finish floor) (includes parts A, B, & C and 20W MR-11/FG)
DL-130-INT-Adj.-3/4	Interior Adjustable Micro Well Light (Ht. Standard - 3/4" sub + finish floor) (includes parts A, B-adj., & C) and 20W MR-11 FG
DL-130-INT-LED-3/4-Fixed	Fixed, non-adjustable Micro Well Light (Ht. Standard - 3/4" sub + finish floor) (includes parts A, B-adj., & C) and 3W LED Lamp
DL-130-INT-A-3/4	Housing for Interior Well Light - 3/4 x 3/4
DL-130-INT-B	Inner Cup and MR-11 Lamp
DL-130-INT-B-LED	Inner Cup and LED Lamp
DL-130-INT-B-Adj.	5° Adjustable Inner Cup and Lamp
DL-130-INT-C	Faceplate with Clear Lens

Lamps:	DL-403 - 3 Watt LED DL-601 - 20 Watt MR-11 Spot DL-602 - 20 Watt MR-11 Flood
--------	--

Top Plate Finishes:	1) Verdè 2) Satin Nickel 3) Copper Bronze 4) White 5) Ancient Bronze 6) Brass Bronze 7) Custom 8) Copper Plate 9) Ancient Verdè 10) Grey Bronze 11) Rust Brown 12) Black 13) Pewter
---------------------	---

Optional Lenses:	DL-7226-130 - Diffusion Lens for Well Light DL-7227-130 - Linear Lens for Well Light
------------------	---



dreamscape
LIGHTING MFG., INC.

©2008 Dreamscape Lighting Mfg., Inc.
5521 W. Washington Blvd. • Los Angeles, CA 90016
Phone: 323-933-5760 • FAX: 323-933-3607
info@dreamscapelighting.com • www.dreamscapelighting.com
Specifications subject to change without notice



100608_microwelllight-INT