

DLED-5400 Square Mini Glow LED Wet Location Series Specification Sheet

LED 50,000 Hour Dimmable Light Strip with Sealed Enclosure
50 Lumens per Foot - 2.5 Watts per Foot

Type:

Project:

Cat. No. DLED-5400 - _____ - _____ - _____ - _____ - _____

Date:

Fixture Description:

A continuous wet location LED dimmable enclosed light strip that offers a warm, soft, even glow at a huge savings over incandescent, halogen, or fluorescent. Runs cooler than incandescent or halogen, and contains no harmful gasses. 50,000 hour lamp life saves on maintenance and re-lamping costs while enabling unique linear lighting effects and illumination.

Construction:

LED diodes wired into rigid LED strip with jumper wire and feed wire pre-wired and pre-mounted in a sealed clear acrylic extrusion that does not restrict light output.

Electrical:

24 Volt AC/DC. 2.5 Watts per foot.
 50 lumens per foot. Dimmable.

Mounting:

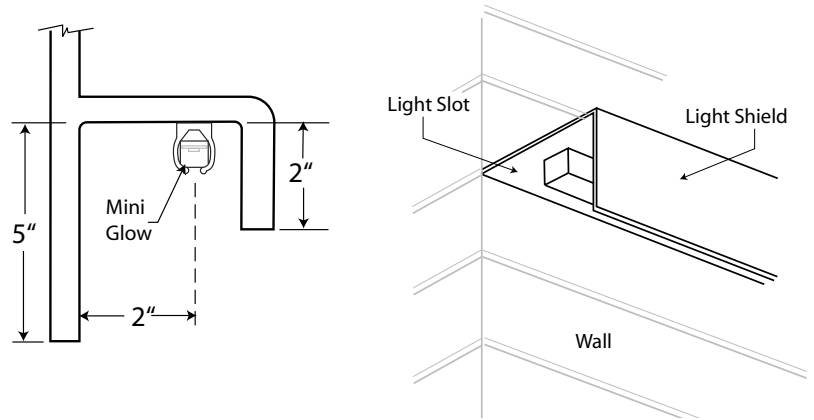
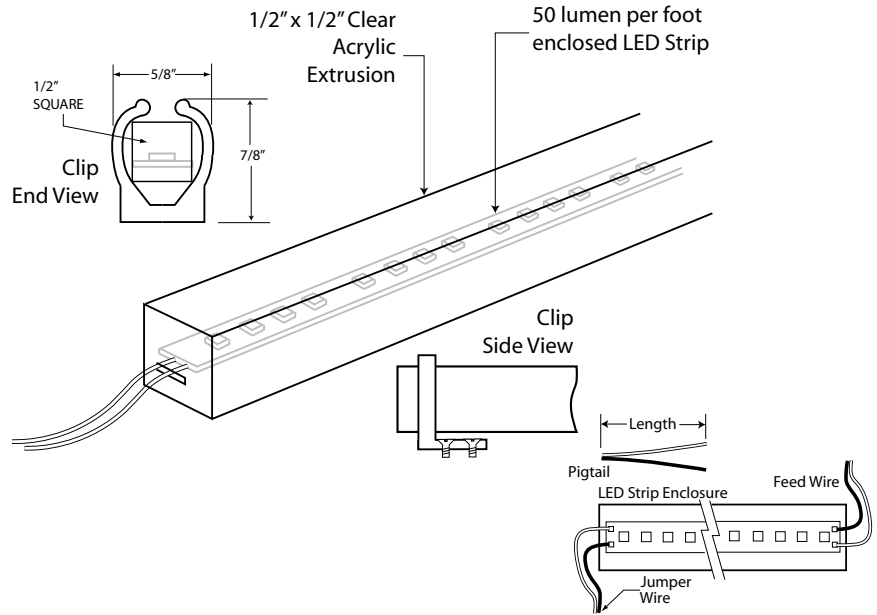
Surface mount using Mini Glow clips provided.

Applications:

Under Bench Lighting • Coves • Light Pockets • Architectural Details • Bullnose Under Cabinet • Toe Kick • Water Effects and Illumination (not submersible).

Note:

Actual length of tube is 1/2" greater than specified length. Ex: DLED-5300-46 is actually 46-1/2" long. **Connectors not designed for wet location. Use approved wire nut or butt splice.**



Voltage:	24 Watts AC/DC
Watts:	2.5 Watts per foot
Max. Run:	12 feet per feed
Max. Single Length:	6'

Model No.	Acrylic Tube with LED Strip Length	Feed Wire Length	Jumper Wire Length	Pigtail Length**	Color Temp.
DLED-5400	3", 6", 9", 12", 15", 18", 21", 24"	1.5", 3"	None* (0), 1.5"	0"	2700k
	27", 30", 33", 36", 39", 42", 45"	6", 12"	3", 6", 12", 18", 30"	3", 12", 36"	3100k
	48", 51", 54", 57", 60", 63", 66"	18", 30"	18", 30"	Custom	
	69", 72"	Custom	Custom		

*NOTE: You can specify "0" for no jumper wire on the end. Custom lengths available. Consult factory.

** NOTE: 1 pigtail per run (specify 3", 12", 36", or Custom).

Acrylic Tube with LED Length* Feed Wire Length Jumper Wire Length Pigtail Length Color Temp.

Ordering Example: DLED-5400 24" - F3" - J3" - P3" - 3100

* Allow an extra 1/2" to accommodate acrylic tube. 24" is actually 24.5". This goes for all other sizes.