

DL-126-LED Ext. SPECIFICATION SHEET

Mesa Exterior LED Illuminator for Wet Location

Lamping: 1 x 3 Watt LED

Cat. No. DL-126-LED Ext.- _____ - _____ - _____

Cat. No. DL-126-LED Ext.-SSD - _____ - _____ - _____

Type:

Project:

Date:

Fixture Description:

A cast brass wet location wall sconce utilizing a 3 Watt energy saving 35,000 hour LED lamp for uplighting, downlighting, wall washing or grazing illumination techniques.

Construction:

A solid brass sand casting with a glass sealed louvered aperture.

Electrical:

Remote 12 Volt magnetic, LED driver, or integral recessed 3 Watt LED driver.

NOTE: Solid state transformers are not compatible with our LEDs.

Mounting:

Solid brass 8/32" phillips screws mount faceplate to custom 2-gang mud ring attached to 4" square box.

Finishes:

1. Verde, 2. Satin Nickel, 3. Copper Bronze, 4. White*, 5. Ancient Bronze, 6. Brass Bronze, 7. Custom, 8. Copper Plate, 9. Ancient Verde, 10. Grey Bronze, 11. Rust Brown*, 12. Black*, 13. Pewter

* Powder Coat

Lamp:

3 Watt LED - 2750k.

Lenses:

Linear and diffusion.

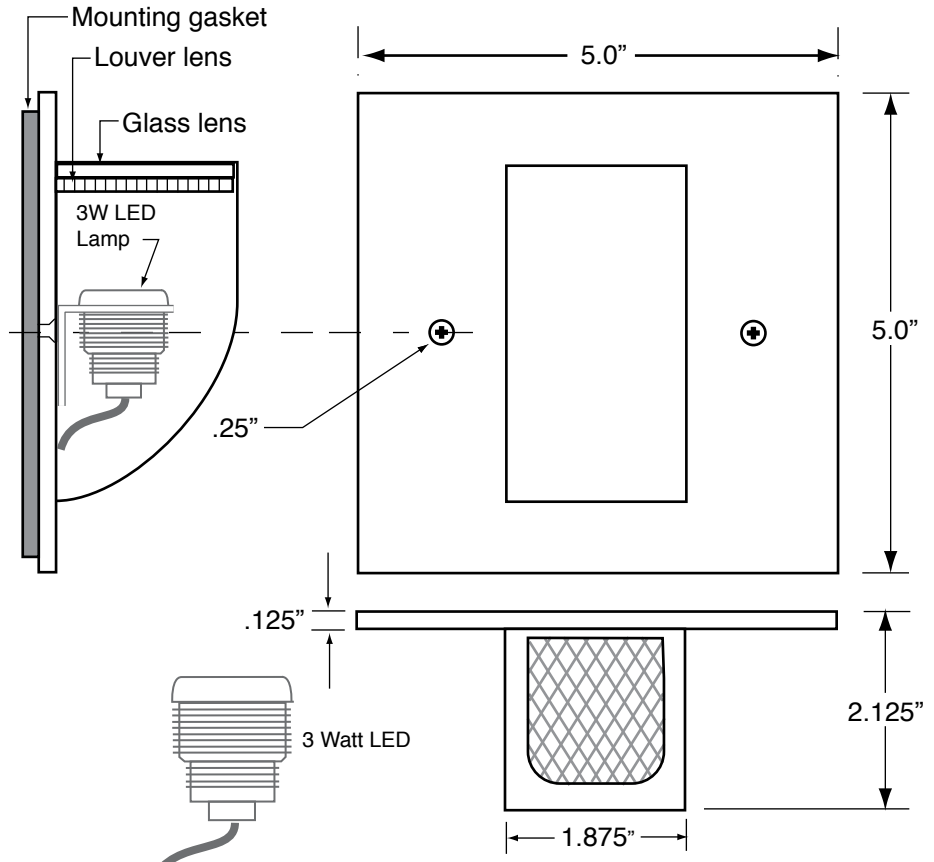
Housings:

DL-260: 4" sq., deep steel box.

DL-260-B: 4" sq., deep brass box

DL-261: 2 gang cast aluminum box with extension collar.

DL-262: 2 gang 1/2" raised mounting ring for use with DL-260 housing (included with face plate)



TO FORM A CATALOG NUMBER:
WHICH SPECIFIES:

Part #	Lens	Lamp	Finish
DL-126-LED-Ext	B	403	9
Mesa LED fixture	Diffusion lens	3 Watt LED	Ancient Bronze

OPTIONS:

DL-126-LED-Ext. REQUIRES REMOTE TRANSFORMER

DL-126-LED-Ext.-SSD INCLUDES 3W LED DRIVER

SPECIFY LENS:

- A - LINEAR
- B - DIFFUSION

SPECIFY LAMPS:

403 - 3 WATT 2750K LED

SPECIFY FINISH:

- 1 - VERDE
- 2 - SATIN NICKEL
- 3 - COPPER BRONZE
- 4 - WHITE*
- 5 - ANCIENT BRONZE
- 6 - BRASS BRONZE
- 7 - CUSTOM
- 8 - COPPER PLATE
- 9 - ANCIENT VERDE
- 10 - GREY BRONZE
- 11 - RUST BROWN*
- 12 - BLACK*
- 13 - PEWTER

* Powder Coat

dreamscape
LIGHTING MFG., INC.

©2008 Dreamscape Lighting Mfg., Inc.
5521 W. Washington Blvd. • Los Angeles, CA 90016
Phone: 323-933-5760 • FAX: 323-933-3607
info@dreamscapelighting.com • www.dreamscapelighting.com
Specifications subject to change without notice



110508_DL126LEEXT