

LED DRIVER Specification Sheet

Constant Voltage Electronic Non-Dimmable LED Drivers for
Dreamscape Lighting DLED-5000 Linear LED

Type:

Project:

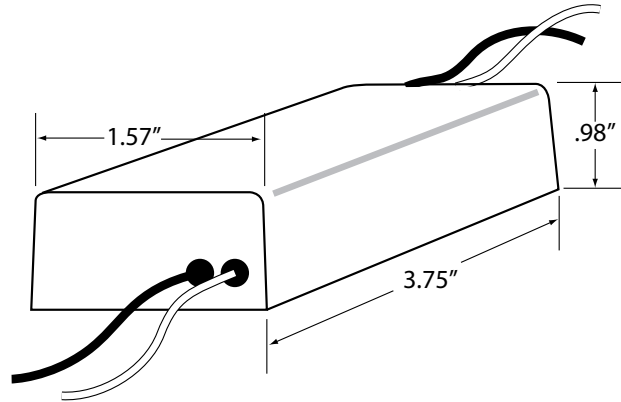
Date:

MAG 1020-24 Electronic Driver

20W 120/24 Volt DC

Maximum Load:
8' DLED-5000

Must be mounted inside a suitable
metal or approved non-metallic
junction box.

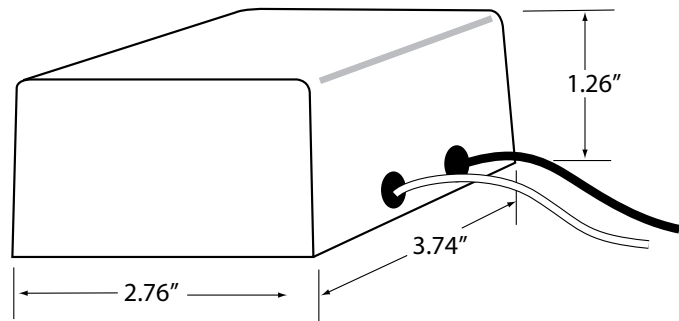


MAG 1040-24 Electronic Driver

40W 120/24 Volt DC

Maximum Load:
16' DLED-5000

Must be mounted inside a suitable
metal or approved non-metallic
junction box.



MAG 1060-24 Electronic Driver

60W 120/24 Volt DC

Maximum Load:
24' DLED-5000

Requires that external junction boxes be
mounted to each end of extrusion for proper
wire termination.

