

Project:

**LUNAR DIRECTIONAL LIGHTING - SURFACE MOUNT**

A SOLID BRASS COMPACT ACCENT LUMINAIRE

Lamping: MR11, MR16 or LED

Cat. No: DL-102 (Lunar I) - \_\_\_\_\_ - \_\_\_\_\_ - \_\_\_\_\_ - \_\_\_\_\_  
 DL-104 (Lunar II) - \_\_\_\_\_ - \_\_\_\_\_ - \_\_\_\_\_ - \_\_\_\_\_  
 DL-133 (Lunar III) - \_\_\_\_\_ - \_\_\_\_\_ - \_\_\_\_\_ - \_\_\_\_\_

Date:

Type:

**Fixture Description:**

The LUNAR SERIES have been designed to provide discreet accent illumination. Made from solid brass they are extremely durable and compact, allowing them to provide maximum controlled illumination in a small decorative housing. The fixtures are available in many hand etched metal finishes. These finishes age gracefully as the brass fixture weathers naturally in the landscape environment.

**Specifications:**

**Construction:** Solid brass construction with optional glare shield and light control accessories. Also available as a canopy mount or ground mount accent light (See spec sheet for Lunar Post and Stake Mount).

**Lamp:**

Lunar I: 35 / 50W MR16-FG (w/lens) or 7W 12V LED 2700K. Lunar II: 20 / 35W MR16-FG or 7W 12V LED. Lunar III: 20W MR-11/FG.

**Elec. Requirements:** Requires remote 12 volt source.

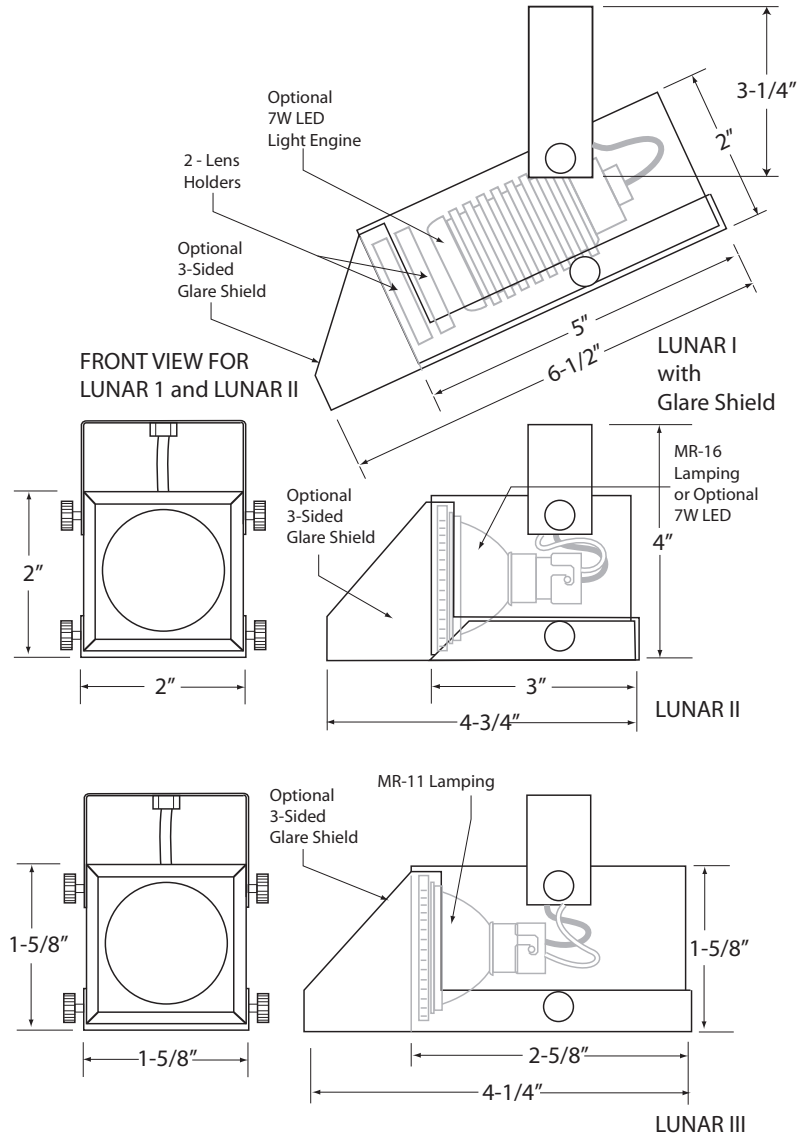
**Mountings:** Yoke mount, 1/2" NPT

**Labels:**

ETL Listed Wet Location - Conforms to UL/1838

**Options:**

**Diffusers:** Diffusion and linear lens. See ordering chart below.



Cat. Number	Description
DL-102	Lunar I (with clear lens & yoke)
DL-102 LED	Lunar I (above for LED lamping)
DL-104	Lunar II (with clear lens & yoke)
DL-104 LED	Lunar II (above for LED lamping)
DL-210	3-sided glare shield for Lunar I & II
DL-212	14" stake for Lunar I & II
DL-213	30" stake for Lunar I & II
DL-215	3-sided glare shield for Lunar III
DL-216	14" stake for Lunar III
DL-217	30" stake for Lunar III
DL-230	2" round canopy for all fixtures
DL-231	3-3/4" round canopy for all fixtures
DL-235	5" round canopy for all fixtures
DL-224	Honeycomb Louver
DL-226	Diffusion lens for all fixtures
DL-227	Linear lens for all fixtures
DL-228	Clear lens for all fixtures - standard

**Finishes:** 1) Verdè 2) Satin Nickel 3) Copper Bronze 4) White\* 5) Ancient Bronze 6) Brass Bronze 7) Custom 8) Copper Plate 9) Ancient Verdè 10) Grey Broze 11) Rust Brown\* 12) Black\* 13) Pewter

**Lamps:** Lunar I: 20, 35, or 50W bi-pin MR-16 FG. Lunar II: 20 or 35W bi-pin MR-16 FG. Lunar III: 20W bi-pin MR-11 FG  
 Lunar I, II LED: 7W LED 2750K Spot, or 7W LED 2750K Flood

\* Powder coat finish

To Form a Catalog Number:	Part No.	Optics 1	Optics 2	Mounting	Finish
	DL-102	210	224	212	5

Which Specifies:	DL-102 LED	DL-104	DL-104 LED	DL-133
	Glare Shield for Lunar I & II		Honeycomb Louver	14" Stake (Lunar I & II)
	215			Ancient Bronze
	Glare shield for Lunar III			



©2012 Dreamscape Lighting Mfg., Inc.  
 5521 W. Washington Blvd. • Los Angeles, CA 90016  
 Phone: 323-933-5760 • FAX: 323-933-3607  
 info@dreamscapelighting.com • www.dreamscapelighting.com  
 Specifications subject to change without notice

