

Project:

DL-127 Int. SPECIFICATION SHEET

Slim Mesa Interior Illuminator for Damp Location

Date:

Lamping: 1 x 20 Watt MR-11

Type:

Cat. No. DL-127 Int.- _____ - _____ - _____

Fixture Description:

A cast brass dry or damp location wall sconce utilizing a 20 Watt MR-11 lamp for uplighting, downlighting, wall washing or grazing illumination techniques.

Construction:

A solid brass sand casting with a glass vented louvered aperture.

Electrical:

Remote 12-volt AC Class II power supply.

Mounting:

Solid brass 8/32" phillips screws mount faceplate to housing.

DL-264-B BRASS HOUSING FOR DL-127 INT

NOTE: Fixture may be surface mounted to non-combustible material, such as steel, brick, granite, concrete, etc.

Finishes:

1. Verde, 2. Satin Nickel, 3. Copper Bronze, 4. White*, 5. Ancient Bronze, 6. Brass Bronze, 7. Custom, 8. Copper Plate, 9. Ancient Verde, 10. Grey Bronze, 11. Rust Brown*, 12. Black*, 13. Pewter

* powder coat

Lamp:

20 watt bi-pin MR-11 with front glass.

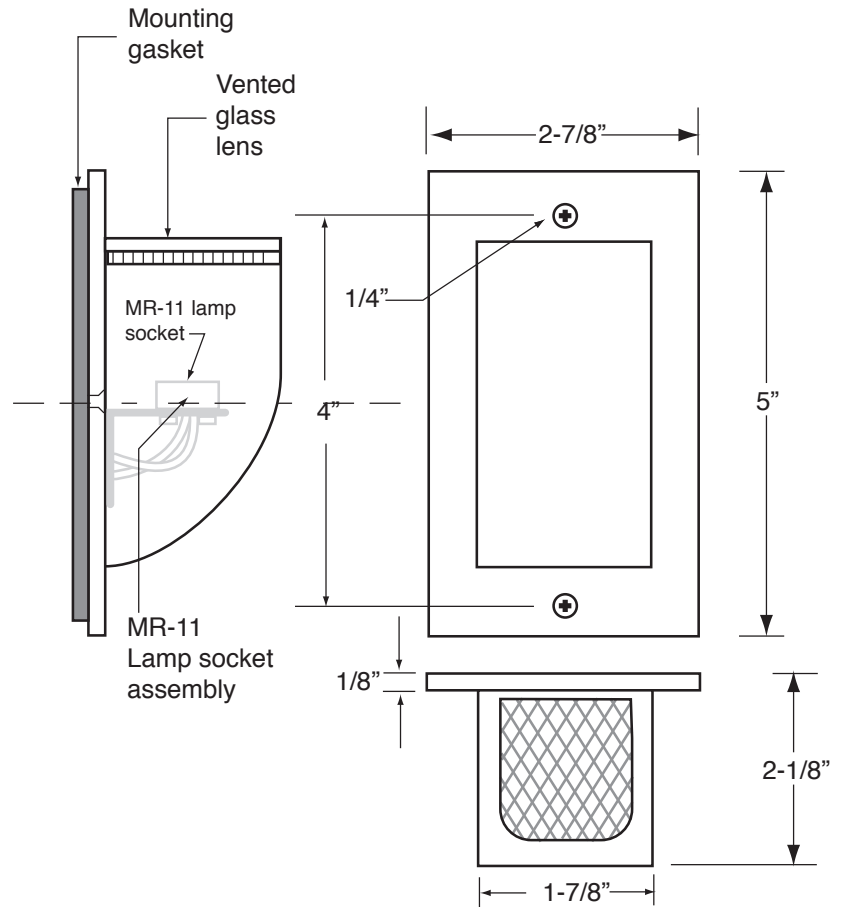
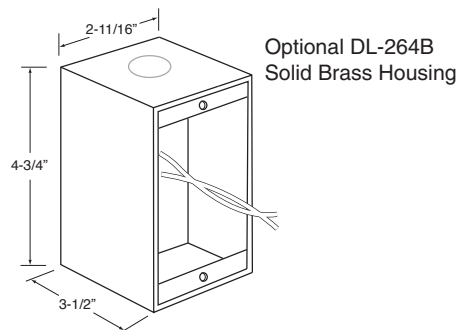
Lenses:

Linear or diffusion.

Optional Housing:

Solid brass construction.

4-3/4"L x 2-3/4"W x 3-1/2"D



TO FORM A CATALOG NUMBER: WHICH SPECIFIES:

Part #	Lens	Lamp	Finish
DL-127-Int	B	702	6
Mesa fixture	Diffusion lens	20 watt 30° MR-11	Brass Bronze

OPTIONS:

DL-127-Int. REQUIRES REMOTE TRANSFORMER

DL-264-B
BRASS HOUSING
FOR SLIM MESA
(shown at left)

SPECIFY LENS:

- A - LINEAR
- B - DIFFUSION

SPECIFY LAMP:

- 701 - 20W, 20° MR-11 SPOT
- 702 - 20W, 30° MR-11 FLOOD

SPECIFY FINISH:

- 1 - VERDE
- 2 - SATIN NICKEL
- 3 - COPPER BRONZE
- 4 - WHITE*
- 5 - ANCIENT BRONZE
- 6 - BRASS BRONZE
- 7 - CUSTOM
- 8 - COPPER PLATE
- 9 - ANCIENT VERDE
- 10 - GREY BRONZE
- 11 - RUST BROWN*
- 12 - BLACK*
- 13 - PEWTER

* Powder Coat