

Project:

DLED-127-LED Ext. SPECIFICATION SHEET

Slim Mesa Exterior LED Illuminator for Wet Location

Date:

Lamping: 1 x 3 Watt LED

Type:

Cat. No. DLED-127-LED Ext.- _____ - _____ - _____

Fixture Description:

A cast brass wet location wall sconce utilizing a 3 Watt energy saving 35,000 hour LED lamp for uplighting, downlighting, wall washing or grazing illumination techniques.

Construction:

A solid brass sand casting with a glass sealed louvered aperture.

Electrical:

Remote 12V AC magnetic Class II transformer.

WARNING: Solid state transformers may not be compatible with our LED products. Recommended power supplies: Use approved magnetic Class II transformers.

Mounting:

Solid brass 8/32" phillips screws mount faceplate to custom housing.

DLED-266B-LED BRASS HOUSING FOR DLED-127-LED SLIM MESA

Finishes:

1. Verde, 2. Satin Nickel, 3. Copper Bronze, 4. White*, 5. Ancient Bronze, 6. Brass Bronze, 7. Custom, 8. Copper Plate, 9. Ancient Verde, 10. Grey Bronze, 11. Rust Brown*, 12. Black*, 13. Pewter

* Powder Coat

Lamp:

3 Watt LED - 2750k.

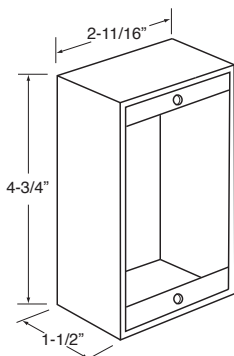
Lenses:

Linear or diffusion.

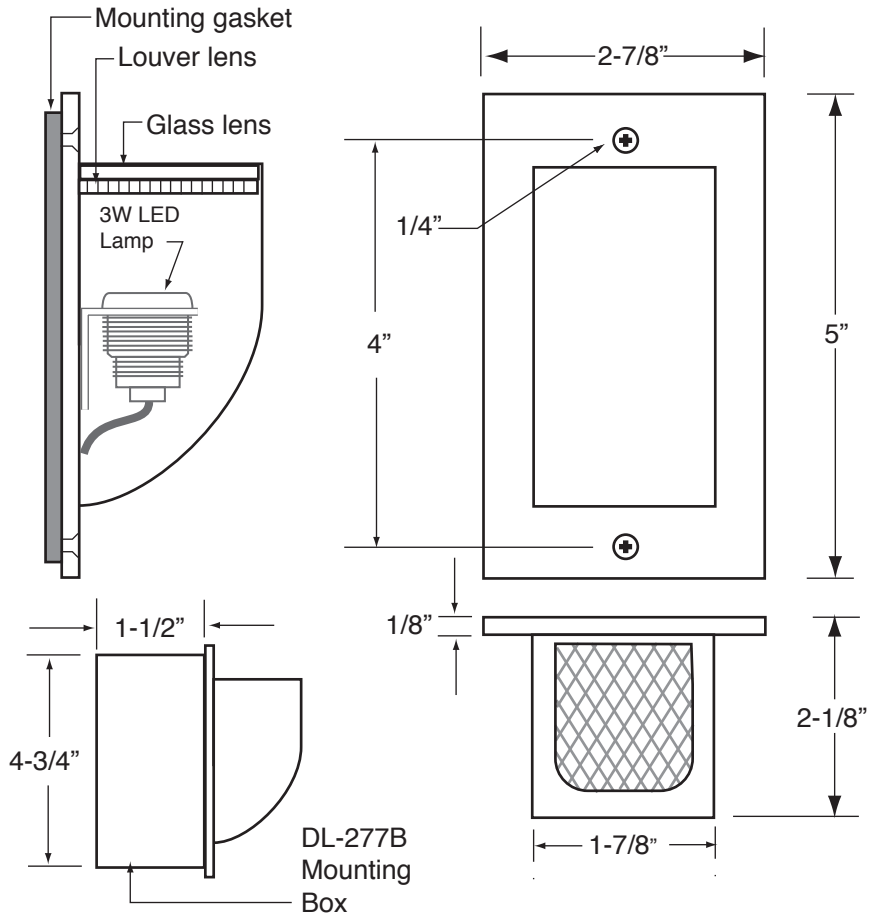
Housings:

Solid brass construction.

4-3/4"L x 2-11/16"W x 1-1/2"D



Optional DL-277B Solid Brass Housing



TO FORM A CATALOG NUMBER: WHICH SPECIFIES:

Part #	Lens	Lamp	Finish
DLED-127-LED-Ext	B	403	9
Slim Mesa LED fixture	Diffusion lens	3 Watt LED	Ancient Bronze

OPTIONS:

DLED-127-LED-Ext. REQUIRES REMOTE TRANSFORMER

DL-277-LED BRASS HOUSING FOR DL-127-LED SLIM MESA (shown at left)

SPECIFY LENS:

- A - LINEAR
- B - DIFFUSION

SPECIFY LAMPS:

403 - 3 WATT 2750K LED NARROW FLOOD

SPECIFY FINISH:

- 1 - VERDE
- 2 - SATIN NICKEL
- 3 - COPPER BRONZE
- 4 - WHITE*
- 5 - ANCIENT BRONZE
- 6 - BRASS BRONZE
- 7 - CUSTOM
- 8 - COPPER PLATE
- 9 - ANCIENT VERDE
- 10 - GREY BRONZE
- 11 - RUST BROWN*
- 12 - BLACK*
- 13 - PEWTER

* Powder Coat