

Project:	
DLED-5200-WL GLOW LED Wet Location Series Specification Sheet	Date:
LED 50,000 Hour Dimmable Light Strip with Sealed Enclosure 50 Lumens per Foot - 2.5 Watts per Foot - CRI 70	Type:
Cat. No. DLED-5200-WL- _____ - _____ - _____ - _____ - _____	

Fixture Description:

A continuous wet location LED dimmable enclosed light strip that offers a warm, soft, even glow at a huge savings over incandescent or halogen. Runs cooler than incandescent or halogen, and contains no harmful gasses. 50,000 hour lamp life saves on maintenance and re-lamping costs while enabling unique linear lighting effects and illumination.

Construction:

LED diodes wired into rigid LED strip with jumper wire and feed wire pre-wired and pre-mounted in a sealed white acrylic extrusion that diffuses light into a soft glow. White (WH) or clear (CL) lens available.

Electrical:

24 Volt AC. 2.5 Watts per foot. 50 lumens per foot. Dimmable. Use wet location wire nuts for all wire termination.

Mounting:

Surface mount using unique slide in or snap-in buttons that securely holds fixture slightly above surface plane.

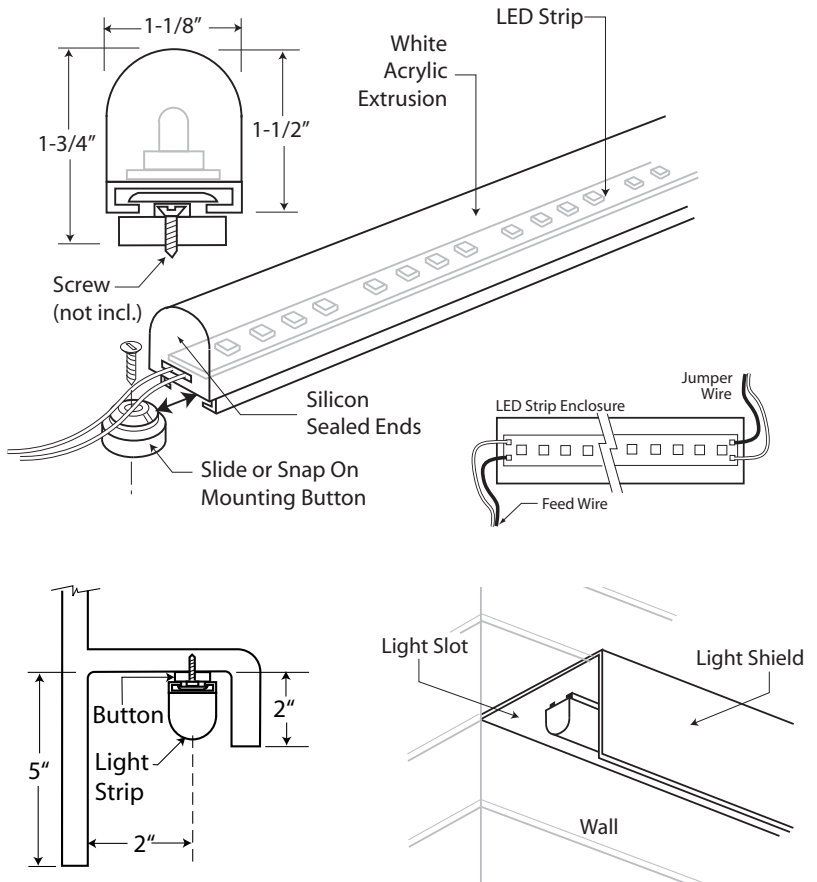
Applications:

- Under Bench Lighting • Coves • Light Pockets
- Architectural Details • Bullnose Under Cabinet
- Toe Kick • Water Effects and Illumination (not submersible).

Note: Actual length of enclosure is 1-1/2" greater than specified length. Ex: DLED-5200-WL-60 is actually 60-1/2" long.

IMPORTANT: LED strips are to be fed from UL Listed Class II magnetic transformers.

NOTE: Color acrylic available. Contact factory.



Voltage:	24 Volts AC
Watts:	2.5 Watts per foot
Max. Run:	12 feet per feed
Max. Single Length:	8'

Secondary Wire Specification	
Max. Load:	50 Watts
Max. Distance:	50 Feet
16 AWG 2/C Type CM-CL2	
ETL-CM CL3	
Standard copper conductor	

Model No.	LED Length (+1-1/2")	Feed Wire Length	Jumper Wire Length	Lens Color	Color Temp.
DLED-5200-WL	3", 6", 9", 12", 15", 18", 21", 24", 27", 30", 33", 36", 39", 42", 45", 48", 51", 54", 57", 60", 63", 66", 69", 72", 75", 78", 81", 84", 87", 90", 93", 96", See NOTE for LED Lengths Over 99" 99", 102", 105", 108", 111", 114", 117", 120", 123", 126", 129", 132", 135", 138", 141", 144"	1.5", 3" 6", 12" 8", 30" Custom	None* (0), 1.5" 3", 6", 12", 18", 30" Custom	WH White CL Clear	2700k 3000k

NOTE: All LED lengths 99" - 144" are made up of 2 separate units joined together by a 1" flex wire.

DIMENSION ALLOWANCE: ENCLOSURE IS 1-1/2" LONGER THAN SPECIFIED LED LENGTH.

FOR CURVILINEAR APPLICATIONS - SPECIFY .75" JUMPER WIRE LENGTH

*NOTE: You can specify "0" for no jumper wire on the end. Custom lengths available. Consult factory.

Acrylic Enclosure with LED Length*	Feed Wire Length	Jumper Wire	Lens Color	Color Temp.
------------------------------------	------------------	-------------	------------	-------------

Ordering Example: DLED-5200-WL - 36" - F3" - J3" - WH- 3000

* Allow an extra 1-1/2" to accommodate acrylic tube. 24" is actually 25.5". This goes for all other sizes.



©2010 Dreamscape Lighting Mfg., Inc.
5521 W. Washington Blvd. • Los Angeles, CA 90016
Phone: 323-933-5760 • FAX: 323-933-3607
info@dreamscapelighting.com • www.dreamscapelighting.com
Specifications subject to change without notice

