

Project:

# DLED-5200 GLOW LED Series Specification Sheet

**LED 50,000 Hour Dimmable Light Strip with Sealed Enclosure**  
**50 Lumens per Foot - 2.5 Watts per Foot - CRI 70**

Date:

Type:

Cat. No. DLED-5200 - \_\_\_\_\_ - \_\_\_\_\_ - \_\_\_\_\_ - \_\_\_\_\_ - \_\_\_\_\_

**Fixture Description:**

A continuous enclosed LED dimmable enclosed light strip that offers a warm, soft, even glow at a huge savings over incandescent, halogen, or fluorescent. Runs cooler than incandescent or halogen, and contains no harmful gasses. 50,000 hour lamp life saves on maintenance and re-lamping costs while enabling unique linear lighting effects and illumination.

**Construction:**

LED diodes wired into rigid LED strip with jumper wire and feed wire pre-wired and pre-mounted in a sealed white acrylic extrusion that diffuses light into a soft glow. White (WH) or clear (CL) lens available.

**Electrical:**

24 Volt AC. 2.5 Watts per foot. 50 lumens per foot. Dimmable.

**Mounting:**

Surface mount using unique slide in or snap-in buttons that securely holds fixture slightly above surface plane.

**Applications:**

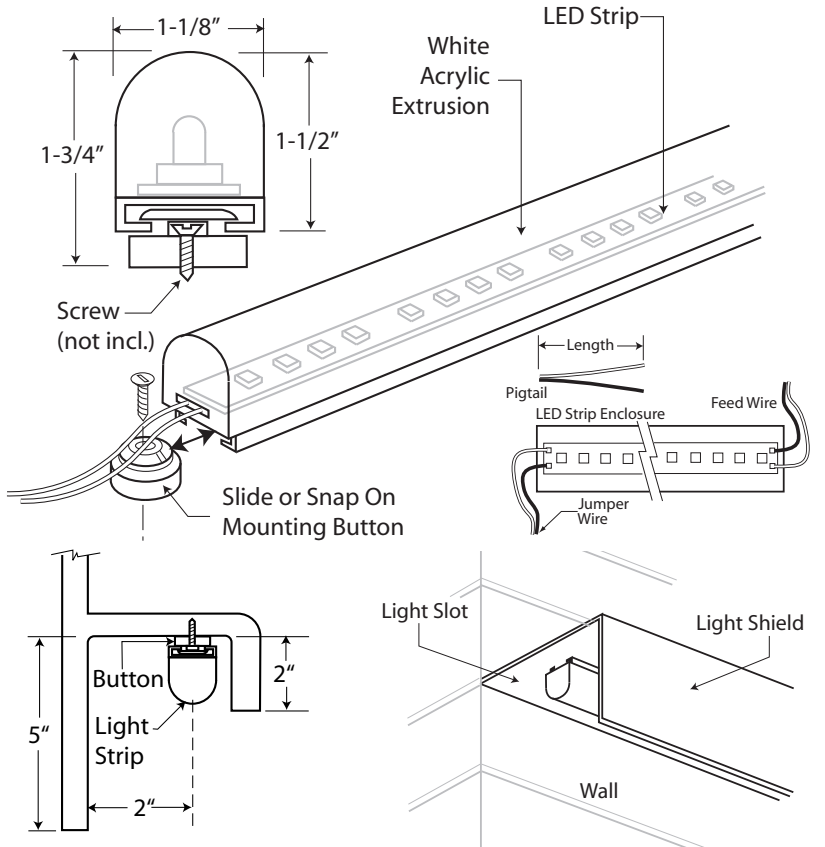
Under Bench Lighting • Coves • Light Pockets • Architectural Details • Bullnose Under Cabinet Toe Kick • Water Effects and Illumination (not submersible).

**Note:** Actual length of enclosure is 1/2" greater than specified length. Ex: DLED-5200-60 is actually 60-1/2" long.

**IMPORTANT: LED strips are to be fed from UL Listed Class II magnetic transformers.**

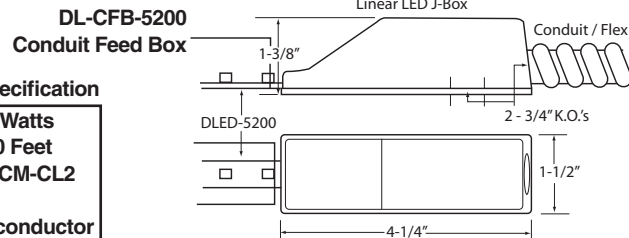
**NOTE: Color acrylic available. Contact factory.**

<b>Voltage:</b>	<b>24 Volts AC</b>
<b>Watts:</b>	<b>2.5 Watts per foot</b>
<b>Max. Run:</b>	<b>12 feet per feed</b>
<b>Max. Single Length:</b>	<b>8'</b>



**Secondary Wire Specification**

<b>Max. Load:</b>	<b>50 Watts</b>
<b>Max. Distance:</b>	<b>50 Feet</b>
<b>16 AWG 2/C Type CM-CL2</b>	
<b>ETL-CM CL3</b>	
<b>Standard copper conductor</b>	



Model No.	LED Length (+1/2")	Feed Wire Length	Jumper Wire Length	Pigtail Length**	Lens Color	Color Temp.
<b>DLED-5200</b>	3", 6", 9", 12", 15", 18", 21", 24", 27", 30", 33", 36", 39", 42", 45", 48", 51", 54", 57", 60", 63", 66", 69", 72", 75", 78", 81", 84", 87", 90", 93", 96",	1.5", 3"	None* (0), 1.5"	0"	WH	2700k
	<b>See NOTE for LED Lengths Over 96"</b>	6", 12"	3", 6", 12",	3", 12", 36"	White	3000k
		18", 30"	18", 30"	Custom	CL	6500k
		99", 102", 105", 108", 111", 117", 120", 123", 126", 129", 132", 135", 138", 141", 144"	Custom	Custom		Clear

**NOTE: All LED lengths 99" - 144" are made up of 2 separate units joined together by a 1" flex wire.**

**DIMENSION ALLOWANCE: ALL DIMENSIONS LISTED ARE PLUS 1/2". ENCLOSURE IS 1/2" LONGER THAN SPECIFIED LED LENGTH.**

**FOR CURVILINEAR APPLICATIONS - SPECIFY .75" JUMPER WIRE LENGTH**

\*NOTE: You can specify "0" for no jumper wire on the end.

Custom lengths available. Consult factory.

\*\* NOTE: 1 pigtail per run (specify 3", 12", 36", or Custom).

Acrylic Enclosure with LED Length\*    Feed Wire Length    Jumper Wire    Pigtail Length    Lens Color    Color Temp.

**Ordering Example: DLED-5200 - 36"- F3"- J3"- P3"-WH- 2700**

\* Allow an extra 1/2" to accommodate acrylic tube. 24" is actually 24.5". This goes for all other sizes.

**dreamscape**  
LIGHTING MFG., INC.

©2010 Dreamscape Lighting Mfg., Inc.  
 5521 W. Washington Blvd. • Los Angeles, CA 90016  
 Phone: 323-933-5760 • FAX: 323-933-3607  
 info@dreamscapelighting.com • www.dreamscapelighting.com  
 Specifications subject to change without notice

