

Project:

DLED-5400-WL Wet Location Square Series Specification Sheet

Date:

LED 50,000 Hour Dimmable Light Channel with Angled LED Light Source - 50 Lumens per Foot - 2.5 Watts per Foot - CRI 70

Type:

Cat. No. DLED-5400-WL - _____ - _____ - _____ - _____ - _____ - _____

Fixture Description:

A continuous wet location LED dimmable light strip mounted inside a square clear or frosted acrylic channel (maximum 12 foot run per feed) that offers a warm, soft, even glow at a huge savings over incandescent, halogen, or fluorescent. Runs cooler than incandescent or halogen, and contains no harmful gasses. 50,000 hour lamp life saves on maintenance and re-lamping costs.

Construction:

20 LED diodes per foot wired into rigid LED channel with jumper wire and feed wire pre-wired and attached. For lengths over 69", two strips are connected by a 1" flex wire joiner to create a single length of up to 138" max.

Electrical:

24 Volt AC. 2.5 Watts per foot. 50 lumens per foot. Dimmable.

Mounting:

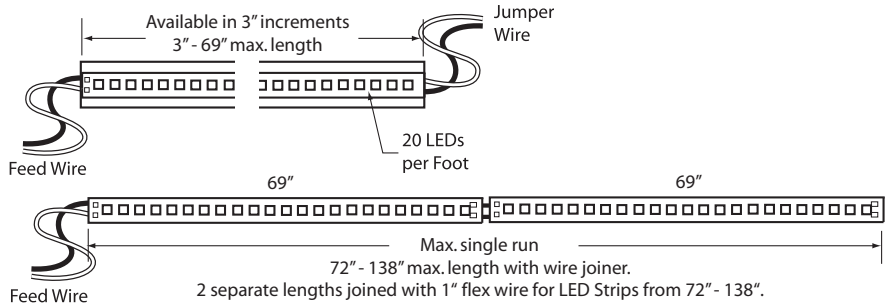
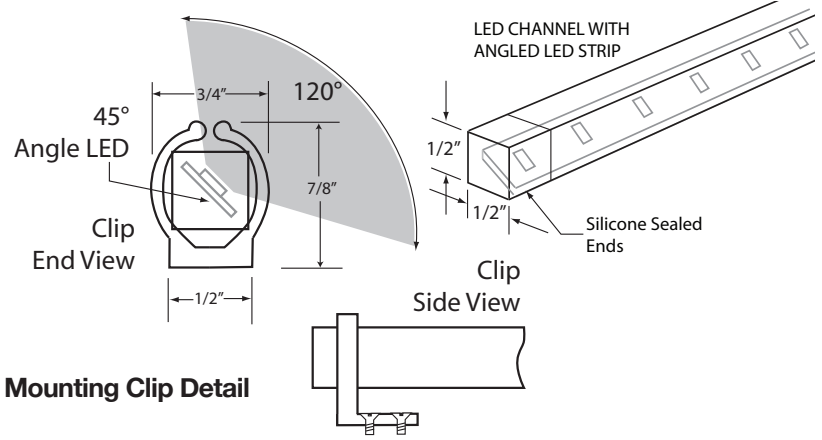
Mounts into covers or other surfaces with clips.

Applications:

- Coves • Light Pockets • Accent Lighting
- Cabinet Lighting • Undercabinet Lighting
- Reveal Molding

Note: Actual length of tube is 1-1/4" longer than specified length. Ex: DLED-5400-WL-46 is actually 47-1/4" long.

IMPORTANT: LED strips are to be fed from UL Listed Class II magnetic transformers.



NOTE: Connectors are not to be used in damp and wet location. Use appropriate wire nut connectors. All dimensions are plus 1-1/4" length.

Voltage:	24 Volts AC
Watts:	2.5 Watts per foot
Beam Spread:	120°
Max. Run:	12 feet
Max. Single Length:	69"
Mounting:	Clips

Secondary Wire Specification	
Max. Load:	50 Watts
Max. Distance:	50 Feet
	16 AWG 2/C Type CM-CL2
	ETL-CM CL3
	Standard copper conductor

Model No.	Acrylic Tube with LED Strip Length (+1-1/4")	Acrylic Material	Wire Format	Feed Wire Length	Jumper Wire Length	Color Temp.
DLED-5400-WL	3", 6", 9", 12", 15", 18", 21", 24", 27", 30", 33", 36", 39", 42", 45", 48", 51", 54", 57", 60", 63", 66", 69"	CL Clear FR	EW End Wire (Std.)	1.5", 3", 6", 12", 18", 30", Custom	None* (0), 1.5", 3", 6", 12", 18", 30", Custom	2700K 3000K 6500K
	72", 75", 78", 81", 84", 87", 90", 93", 96", 99", 102", 105", 108", 111", 117", 120", 123", 126", 129", 132", 135", 138"	Frosted				

NOTE: All LED lengths 72" - 138" are made up of 2 separate units joined together by a 1" flex wire.
DIMENSION ALLOWANCE: ALL DIMENSIONS LISTED ARE PLUS 5/16". TUBE IS 1-1/4" LONGER THAN SPECIFIED LED LENGTH.
FOR CURVILINEAR APPLICATIONS - SPECIFY .75" JUMPER WIRE LENGTH

*NOTE: You can specify "0" for no jumper wire on the end.
 ** NOTE: 1 pigtail per run (specify 3", 12", 36", or Custom).

Acrylic Tube with LED Length*	Clear Tube	End Wire	Feed Wire Length	Jumper Wire Length	Color Temp.
-------------------------------	------------	----------	------------------	--------------------	-------------

Ordering Example: **DLED-5400-WL - 57" - CL - EW" - F3 - J3" - 2700**



©2011 Dreamscape Lighting Mfg., Inc.
 5521 W. Washington Blvd. • Los Angeles, CA 90016
 Phone: 323-933-5760 • FAX: 323-933-3607
 info@dreamscapelighting.com • www.dreamscapelighting.com
 Specifications subject to change without notice



121411_DLED5400WL