

CFL 2300K CANDLELIGHT FILTER LENS
FOR DREAMSCAPE DLED-5000, 5100, 6200AW and 6200LB SERIES



dreamscape
LIGHTING MFG., INC.

Project:

CFL Candlelight Filter Lens

Transforms Linear LED Fixture Light Output Enabling a Soft Candlelight Effect

Date:

Cat. No. CFL - _____

Type:

Fixture Description:

Linear acrylic lens used to convert Dreamscape Lighting linear LED* to an incandescent type soft candle glow. Illumination from lens is 2300K.

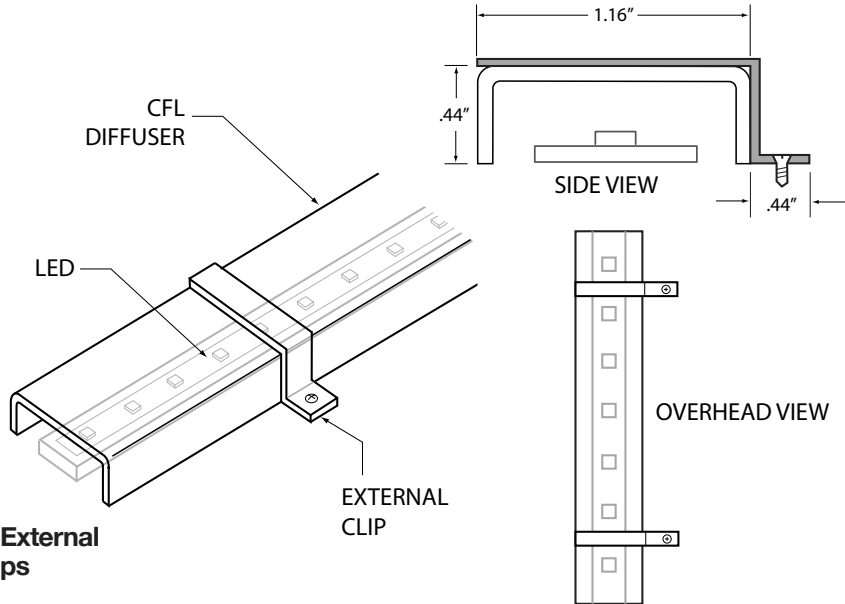
Construction:

Acrylic lens is shaped to accommodate the following Dreamscape Lighting LED linear fixtures:

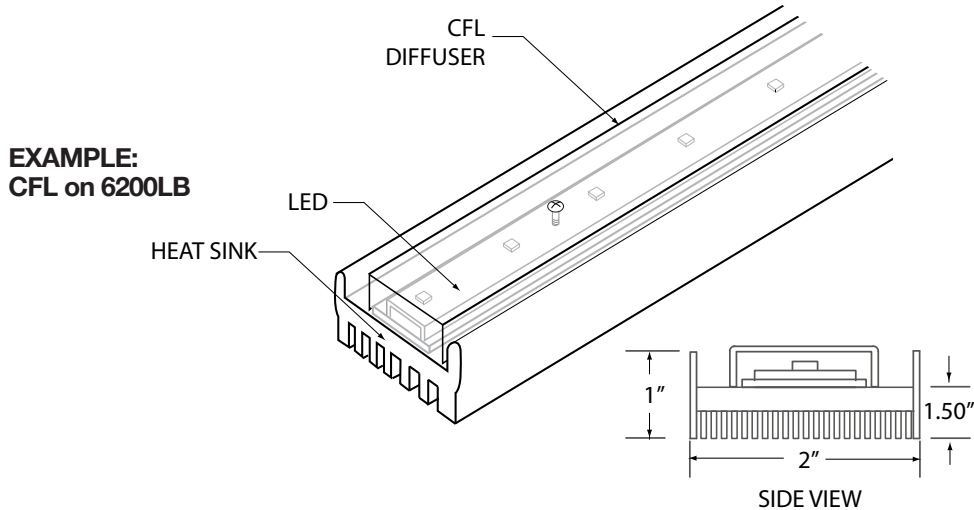
- * DLED-5000
- DLED-5100
- DLED-6200-AW
- DLED-6200-LB

Mounting:

CFL lens screws directly onto DLED extrusion, or utilizes external clip.



EXAMPLE:
CFL on 5000
or 5100 with External
Mounting Clips



EXAMPLE:
CFL on 6200LB

Model No.	Fits the Following DLED Series	Length	Color Temp.
CFL	5000, 5100, 6200-AW, 6200-LB	Cut to length, 96" max.	2300K

Ordering example for optimal dimension:

CFL - 67.5"

Series

Length