

**Solid Brass Accent Light Fixture Suitable for Exterior
Lamping: 1 x 10W LED Lumens: 700**

PROJECT	TYPE	CATALOG NUMBER
---------	------	----------------

Fixture Description:

A cast brass accent light suitable for interior or exterior applications, utilizing a 10 watt, Xicato 95CRI LED lamp for uplighting, wall washing or column illumination techniques.

Construction:

A solid brass sand casting with a glass sealed louvered aperture.

Electrical:

10 watt Xicato CC lamp with dimmable constant current 10W 350mA driver. Specify input voltage, either 120V or 277V at 350mA. Uses reverse phase with neutral dimming technology.

Dimming:

Dimmable down to 20%.

Mounting:

Solid brass 8/32" phillips screws mount faceplate to custom housing.

Finishes:

1. Verde, 2. Pewter, 4. White, 5. Ancient Bronze, 6. Brass Bronze, 7. Custom, 9. Ancient Verde, 10. Grey Bronze, 11. Rust Brown*, 12. Black*, 13. Pewter, 14. Oil-Rubbed Bronze, 15. Copper Edged Bronze,
16. Black Iron Textured Matte*

*Powder coat

Optional Housings

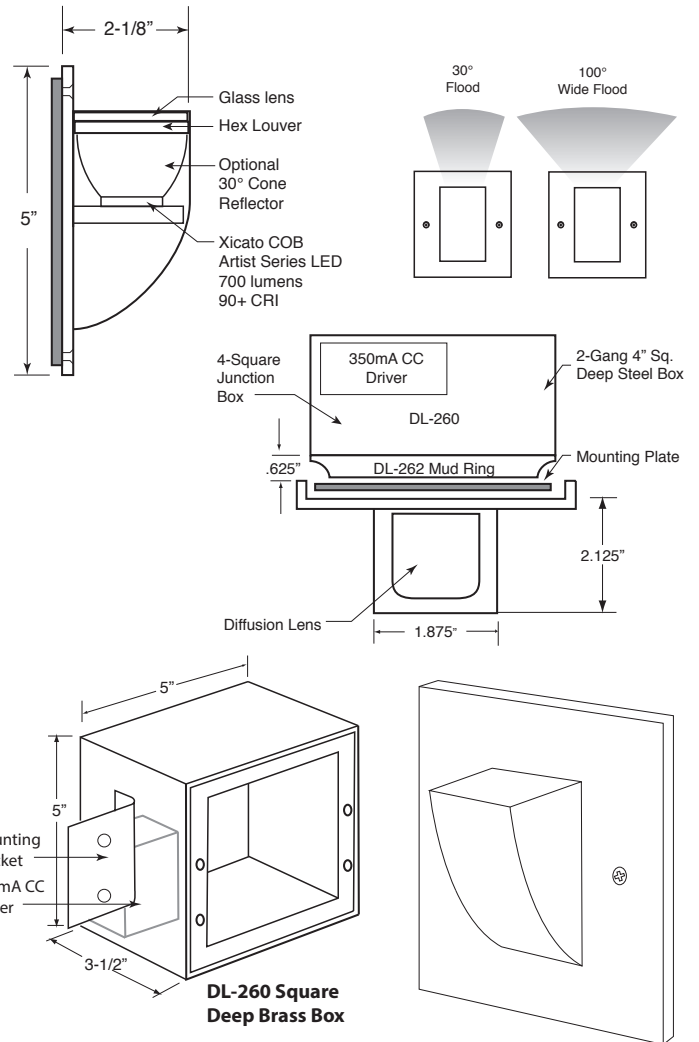
Cat. Number	Description
DL-260	4" square deep steel box
DL-260-B	Square deep brass box
DL-262	2 gang 1/2" raised mounting ring for use with DL-260 housing (included with face plate)

Lamping

Cat. Number	Description
307	LED - 2700K / 3000K / 3500K, 90+CRI 700 Lumens

Driver

Wattage	Description
10 Watt	350mA - CC - 120V / 277V



To Form a Catalog Number:	Part No.	Voltage	Wattage	Location	Beam Spread	Lens	Lamp	Finish
	DLED-126-SSD	120	10	DRY	FL	B	307	4
Which Specifies:	DLED-126-SSD Includes SSD driver	120V	10W	DRY	FL Flood	B - Diffusion	307-3K	4 - White
		277V		DAMP	WFL Wide Flood		307-27K	See all finishes above
				WET			307-35K	

Ordering Examples: **DLED-126-SSD-120-10-DRY-FL-B-307-3K-4** (includes solid state driver, housing ordered separately)