

High Power Bright LED Undercabinet Task Light 700 Lumens per Foot - 13.5 Watts per Foot - CRI 80, 2700K, 35,000 Hr. Lamp Life

PROJECT	TYPE	CATALOG NUMBER
---------	------	----------------

Fixture Description:

A continuous high power LED undercabinet or task light that offers a bright energy saving light source that is a huge savings over incandescent or halogen. Contains no harmful gasses. 35,000 hour lamp life saves on maintenance and re-lamping costs.

Construction:

6 high-power LED diodes per foot wired into rigid aluminum channel extrusion with heat sink.

Electrical:

24 Volt DC. 13.5 Watts per foot. 700 lumens per foot. Remote constant voltage driver required. Dimmable (0 - 10 volt control). Consult factory. 90W per 6'.

Mounting:

Mounts under cabinets, bookshelves, or other surfaces with screws. 3/16" holes in back.

Applications:

- Undercabinet
- Task Light

Use an approved UL listed Class II LED constant voltage power supply.

Warranty 3 years.

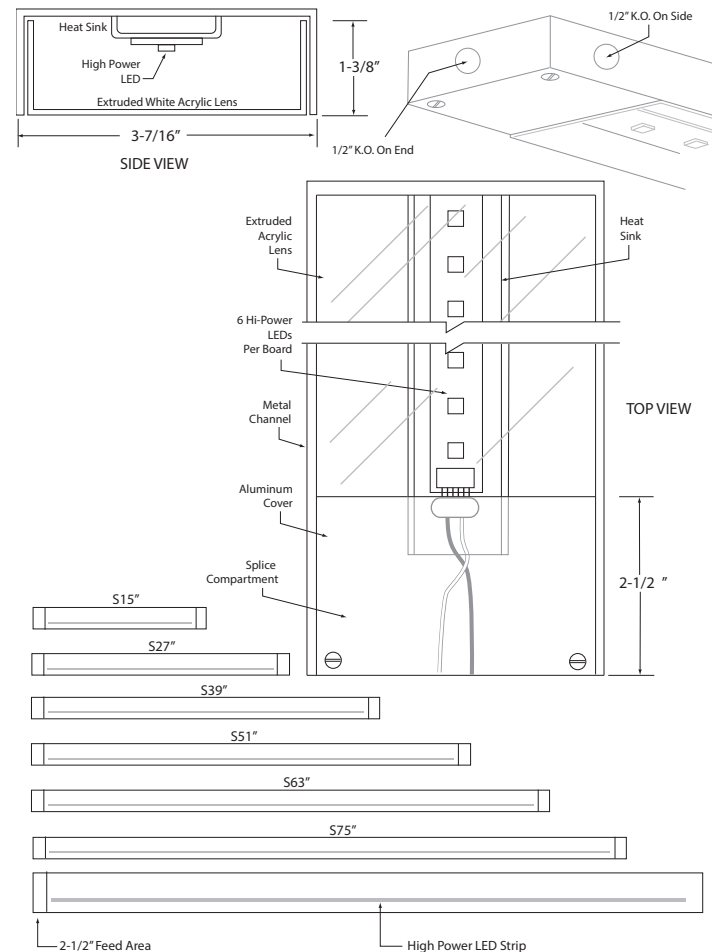
NOTE: Dimmers used must be approved for magnetic loads and use direct current or voltage regulation, such as Lutron Diva Series. Dimmers that use phase forward dimming technology must have a neutral. Check with factory for compatibility.

LED Specifications

Voltage	24V DC
Watts	13.5W per foot
Lumens per Foot	700
Color Temperature	2700K
CRI	80
Beam Spread	120°
Maximum Run	72"
Maximum Single Length	75"
Mounting	Screw
Warranty	3 years / 35,000 hours

Secondary Wire Spec

Maximum Load	90W
Maximum Distance	70 feet
Wire	12AWG 2/C Type CM-CL2
	ETL-CM CL3
	Standard copper conductor



Power Supplies

DLM-96-24-DIM	Dimmable 96W Constant Voltage Driver
DLM-60-24	60W Constant Voltage Driver

Model Number	Lengths	Finish	Color Temp.
DLED-6100	15", 27", 39", 51", 63"	WH White	2700K

Ordering Example: **DLED-6100-15-WH-2700K**